

CANA COOL STUDIO LIGHT

MODEL: CC-455 Dx

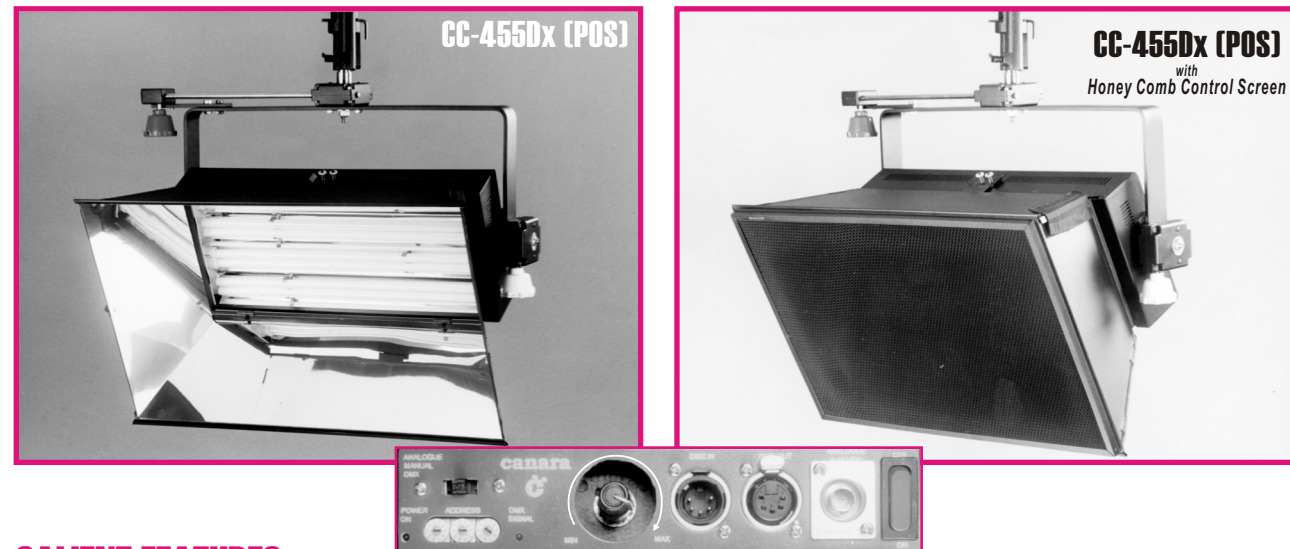


CANA COOL STUDIO LIGHT luminaires are **most versatile, energy efficient and give cool, soft and even beam spread.** The luminaires are most ideal for use in small & medium size studios having ceiling height 3-4 metres.

CANA COOL STUDIO luminaires are available with 3 dimming facilities **MANUAL, ANALOGUE & DMX.** The user can select his choice of control by **MODE SELECTOR.**

The CANA COOL luminaires are provided with dual groove accessory slot, which facilitate of using more than 3 accessories at a time, which is a boon to the creative lighting directors.

The CANA COOL STUDIO luminaires use 55W BIAX 2G11 lamps having the colour temperature of 3000K, 3200K & 5600K and operate with **high frequency flicker free ballasts** which comply all the electrical and electro-magnetic interference specifications and does not emit infrared radiation and do not interfere with audio & video signals.

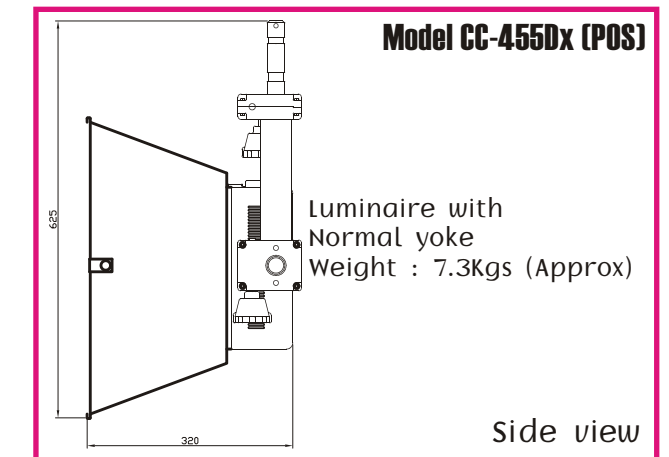
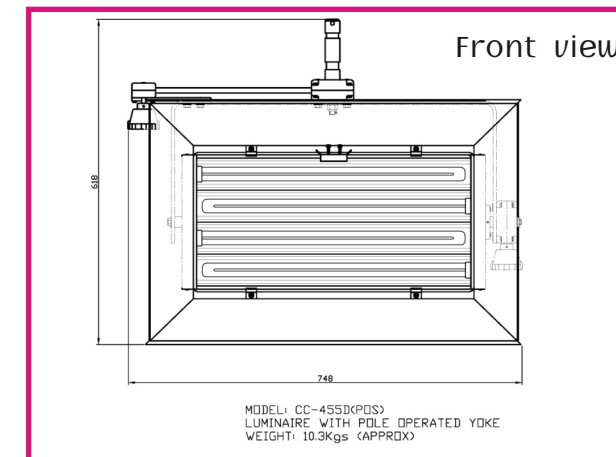


SALIENT FEATURES :

- ☞ Light weight formed aluminium sheet construction with rounded edges—finish fine textured black matt epoxy powder coating.
- ☞ High reflective contoured reflectors
- ☞ High impact moulded thermoplastic lamp sockets.
- ☞ Dual accessory slot for easy insertion of multiple accessories.
- ☞ Multi dimming facility.
- ☞ Accessories remain secured in any angle of operation.
- ☞ Easy conversion of normal yoke to pole operated yoke.
- ☞ Energy efficient, gives flicker free, cool. Soft, radiation free even beam spread.

Accessory Options

DESCRIPTION	CODE	Wt.in Kgs approx.
4-leaf Barndoor	BD-455	1.25Kg
Gel Frame	GF-455	0.50Kg
Honey comb Wide	HCW-455	0.45Kg
Honey comb Medium	HCM-455	0.55Kg
Honey comb Narrow	HCN-455	0.65Kg
Intensifier	INT-455	2.30Kg
Honey comb Wide for intensifier	HCW-455 (I)	0.75Kg
Honey comb Medium for intensifier	HCM-455 (I)	1.00Kg
Honey comb Narrow for intensifier	HCN-455 (I)	1.20Kg
Cast aluminium 'C' clamp	ACC-10	0.60Kg
Al Barrel Clamp	ABC-10	1.09Kg



Technical Specification:

Model:	CC-455Dx for pole operated yoke add suffix (POS)
Wattage:	220W
No. of lamps:	4x55 Watts
Colour temp.:	3000K, 3200K & 5600K.
Operating voltage:	240V AC 50Hz
Ballast frequency:	Above 55KHz.
Dimming:	100% to 0
Dimming option:	MANUAL, ANALOGUE & DMX (Phase Control also available)
Yoke:	Normal or pole operated
Mounting spud:	28mm

Product innovation is a continuous process hence data & design given are subject to change without notice



canara lighting industries Ltd.
(AN ISO 9001 COMPANY)

REGD. OFFICE :
93/A, 1st Floor, H.P.B.T. Bldg.,
Bata Compound, Pokhran Rd. No. 1,
THANE 400 601.
Tel : (022) 2547 3076, 2547 4293
Fax : (022) 2547 5251
Cable : 'CINELIGHT' Thane
E-Mail : aranac@vsnl.com

Unit 1:
Bata Compound, Khopat
Pokhran Road No-1, Thane 400 601
Tel: (022) 2547 3076, 2547 4293
Fax: (022) 2547 5251
Cable : 'CINELIGHT' Thane
E-mail: aranac@vsnl.com

Unit 2:
Mulky Kinnigoli Road, (Airport Road)
Punarooor - 574179, Near Mulky,
Mangalore, Karnataka.
Tel.: (0824) 2290618, 2290848, 2290850
Fax: (0824) 2290620
Cable : 'CINELIGHT' Kinnigoli
E-mail: canlight@sancharnet.in