

Application data

Beam style	variable-spread, soft-edge beam
Suitable for	News and Production Studios where the position of the luminaries needs to be changed frequently
Specification level	professional range
Beam angle	7° - 63°
Typical throw distance	2 - 15m

Electrical data

Supply Volts	230/240V AC single phase
Ballast	Electronic, built-in and power factor corrected
Max. Lamp Watts	150W
Lamp base	G12
Cable/connection	1.5m, 3x1.5mm ² flexible cable to bare ends
Standards Compliance	EN60598-2-17, CE marked

Mechanical data

Paint/Finish	black, white or silver epoxy powder paint
Lamp House Construction	extruded aluminium and sheet steel
Reflector	55mm diameter glass
Lens	120mm diameter Fresnel
Mounting & suspension	pole-operated stirrup with DIN spigot for the control of pan and tilt movement
Rear handle	yes
Weight/Packed weight	7,8kg / 9,5kg
Overall dimensions	290mm (w) x 320mm (d) x 190mm (h) x max 520mm (h)
Packed volume	0.068m ³
Filter cut size	125 x 125mm
Accessory runners	3 slots
Safety guard	accessory
Colour frame	metal, 125 x 125mm, supplied
Lamp access	top panel
Lens access	front and via lamp access

Operational data

Focus adjustment	slide focus with control underneath
Lamp alignment	factory set
Beam Shaping	4-leaf barndoor
Positional adjustment	pole-operated control on pan and tilt
Working position	max. tilting $\pm 70^\circ$ from horizontal

Lamp types

3000K	Philips 150W CDM-T 150/830 9.000 hrs
4200K	Philips 150W CDM-T 150/942 9.000 hrs
4200K	Philips 150W CDM-T SA 150/942 6.000 hrs

Accessories

Lamps	see above		
Spare metal colour frame	■SMCFBL	□SMCFWH	■SMCSI
4-leaf barndoor	■BDBL	□BDWH	■BDSI
Alu-grip clamp with spigot DBC			
Operating pole 1,2/4m	150P1		
Operating pole 2,1/7,5m	150P2		
Safety bond	150SB		

Photometric data

Spot focus	CDM-T 150/942									
Beam dia.	0.2	0.4	0.5	0.6	0.7	0.9	1	1.1	1.2	m
lux	13360	5938	3340	2138	1484	1091	835	660	534	
Distance	2	3	4	5	6	7	8	9	10	m

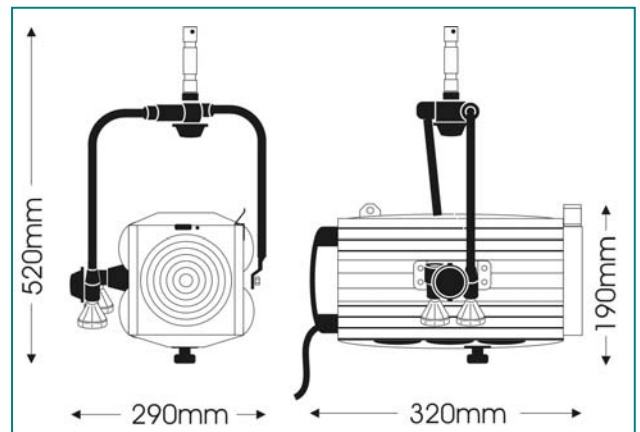
Flood focus										
Beam dia.	2	3.1	4.1	5.1	6.1	7.1	8.2	9.2	10.2	m
lux	1800	800	450	288	200	147	113	89	72	
Distance	2	3	4	5	6	7	8	9	10	m

JOHN
Rossetti
LIGHTING

■ 150BLPO □ 150WHPO ■ 150POSI



CE



New version of the 150, featuring a pole-operated stirrup for the control of pan and tilt.

Ideal for studio lighting and theatrical-style illumination of architectural space, the Soffio Fresnel produces a bright soft-edged beam, variable from 7° to 63°, shaped using an optional 4-leaf barndoor accessory.

With a choice of 150W discharge lamps to give a warm or cool colour temperature, the high power, low consumption and low maintenance design is perfectly suited to studio and architectural applications. Available to special order in any colour from the RAL range, the 150 is supplied with a built-in ballast, colour frame and 1.5m mains cable.

164 Pinewood Green (opposite studios)
Iver Heath
Buckinghamshire
SL0 0QQ England
tel; 01753 65 33 97
fax 01753 655 388
email sales@johnrossettilighting.com