



POWER KEY Series P110-255BX

SYSTEM

Powerful 110 watt compact fluorescent unit with adjustable beam spread of 60°, 70° or 90°. Provides a concentrated, even coverage for studio or location lighting applications without added accessories. Additional control achieved with accessory options.

UL/CUL/CE Damp Location Listed

Patent Pending

SPECIFICATION

Housing: Constructed of .063 formed aluminum then coated with black textured TGIC polyester powder coat finish.

Reflector: Formed .020 high purity aluminum (99.9%) reflector material with 95% reflectance finish.

Socket: Molded white high strength thermoplastic with push wire connections and 18 gauge leads. Model number 2G11 4-pin. Mounted to adjustable bracket to alter beam spread.

Electrical: Unit contains (1) 2-lamp ballast to drive two 55 watt lamps for a total of 110 lamp watts per fixture. Power factor shall be $>.97$ with a class A sound rating and THD of $<20\%$. Power entry on unit includes on/off switch, fuse holder with fuse (for protection against power surges), spare fuse and IEC connector.

Mounting: Provided with .125 welded aluminum yoke which allows vertical or horizontal mounting. Unit may rotate vertically through the yoke and horizontally through a pipe clamp for ease of focus, and may be locked into place.

Fixture Includes:

- (2) 55 watt Biax Lamps
- (1) 2-lamp Ballast (Specify Voltage)
- 16' power cord with NEMA5-15 (3) prong plug
- (1) C-Clamp or 5/8" Stand Adapter (Specify One)

LAMPS (Included)

(2) 55 Watt FT55W/2G11/830
3000K, 12,000 Hours Lamp Life

CRI: 82

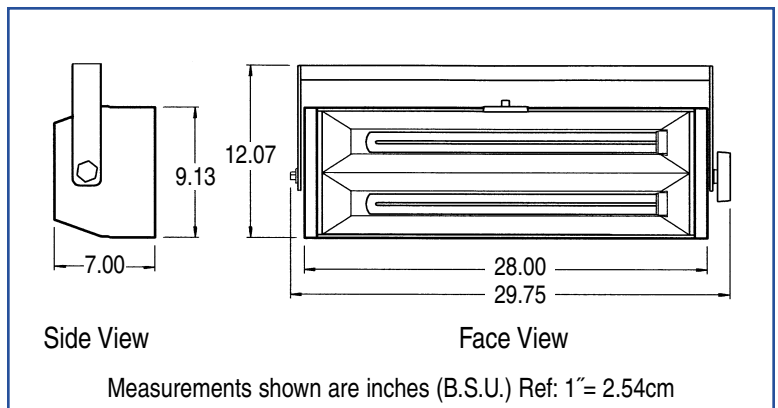
Light Output: 4800 LM/Lamp

OPTIONS (Must Specify Each)

Ballast 120 VAC/60Hz HPF Electronic
230 VAC/50-60Hz HPF Electronic

Mounting 2" O.D. C-Clamp
5/8" Stand Adapter

Lamps 3000K (Included as Standard)
3200K (Additional charge)
5500K (Additional charge)



MODEL

P110-255BX	Non Dim
P110-255BX-DA	0-10 Analog Dim
P110-255BX-DMX	DMX control within fixture.
P110-255BX-D/PM*	Phase Control

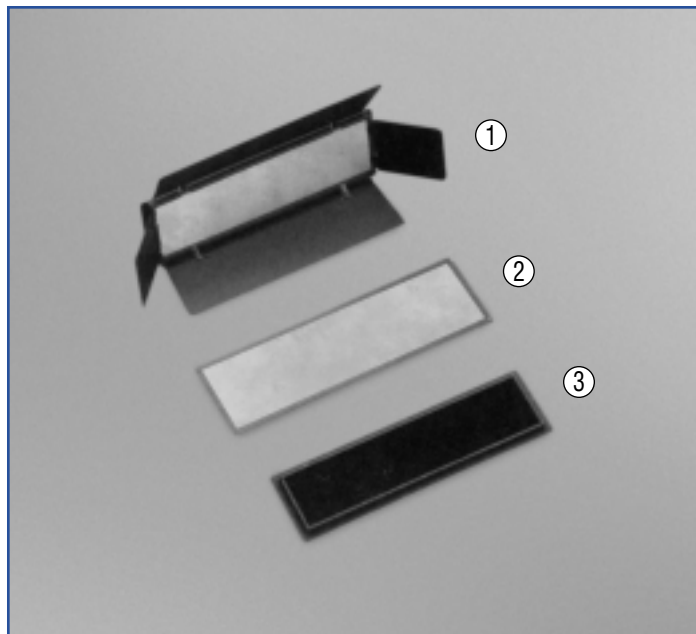
* Not available in 230 volt.

WEIGHT

	Lbs	Kg	DIMENSIONS	Inches	Cm
Complete	14.0	6.3	Length	29.75	75.6
DMX	0.5	0.2	Height	12.07	30.7
			Width	7.0	17.8

ACCESSORIES

(See detailed description and function in Accessories Section)



PART

- ① BD-P110 Barn Door
- ② GF-P110 Gel Frame
- ③ ZS-P110-W Zone Control Screen Wide

PHOTOMETRICS

2-03		DISTANCE				
MODEL P110-255BX		3ft/.91m	6ft/1.83m	9ft/2.74m	12ft/3.66m	15ft/4.57m
NO ACCESSORIES	FC	696	174	77	44	28
	Lux	7492	1873	829	474	301

Light level readings were measured in foot-candles (fc) and converted to Lux using the conversion factor of 1 fc = 10.765 Lux. Values shown are light levels on centerline. Reference: Meter used—Minolta T-1 Illuminance meter. Lamps: 3000 Kelvin. Ambient temperature in test studio 75F ±3F. Distance measurements converted to feet using 1ft = .305m. Original photometric data on file at the factory. Specifications subject to change without notice or obligation.