



POWER KEY Series P220-455BX

SYSTEM

Powerful 220-watt compact fluorescent unit with adjustable beam spread in each of (4) cells of 60°, 70° or 90°. Provides a concentrated, even coverage for studio or location lighting applications without added accessories. Additional control achieved with zone screen accessory option.

UL/CUL/CE Damp Location Listed.

U.S. Patent #6,945,671

SPECIFICATION

Housing: Constructed of .063 formed aluminum then coated with black textured TGIC polyester coat finish.

Reflector: Formed .020 high purity aluminum (99.9%) reflector material with 95% reflectance finish.

Socket: Molded white high strength thermoplastic with push wire connections and 18-gauge leads. Model number 2G11 4-pin. Mounted to adjustable bracket to alter beam spread.

Electrical: Unit contains (2) 2-lamp ballasts to drive four 55-watt lamps for a total of 220 lamp watts per fixture. Power factor shall be >.97 with a class A sound rating and THD of <20%. Power entry on unit includes on/off switch, fuse holder with fuse (for protection against power surges), spare fuse and IEC connector.

Mounting: Provided with .125 welded aluminum yoke which allows vertical or horizontal mounting. Unit may rotate vertically through the yoke and horizontally through a pipe clamp for ease of focus, and may be locked into place.

Fixture Includes:

- (4) 55-watt Biax Lamps
- (2) 2-lamp Ballast (Specify Voltage)
- 16' power cord with NEMA5-15 (3) prong plug
- (1) C-Clamp or 5/8" Stand Adapter (Specify One)

LAMPS (Included)

55-watt FT55W/2G11/830

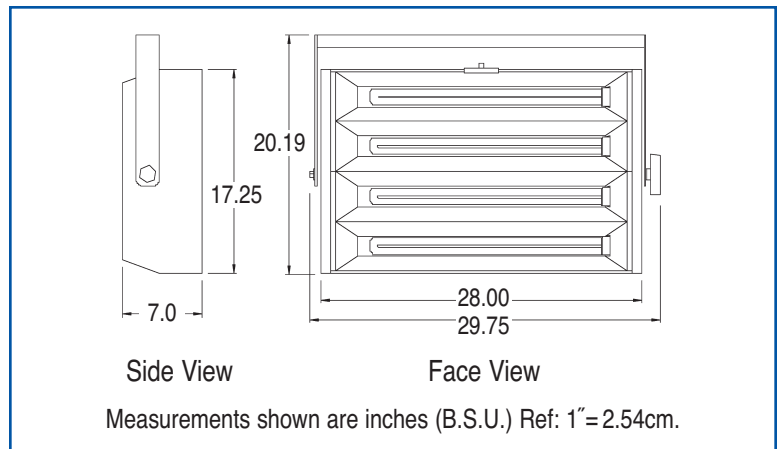
3000K, 12,000 Hours Lamp Life

CRI: 82

Light output: 4800 LM/Lamp

OPTIONS (Must Specify Each)

Ballast	120 VAC/60Hz HPF Electronic 230 VAC/50-60Hz HPF Electronic
Mounting	2" O.D.C-Clamp 5/8" Stand Adapter
Lamps	3000K (Included as Standard) 3200K (Additional charge) 5500K (Additional charge)



MODEL

P220-455BX	Non Dim
P220-455BX-DA	0-10 Analog Dim
P220-455BX-DMX	DMX control within fixture.
P220-455BX-D/PM*	Phase Control

* Not available in 230 Volt

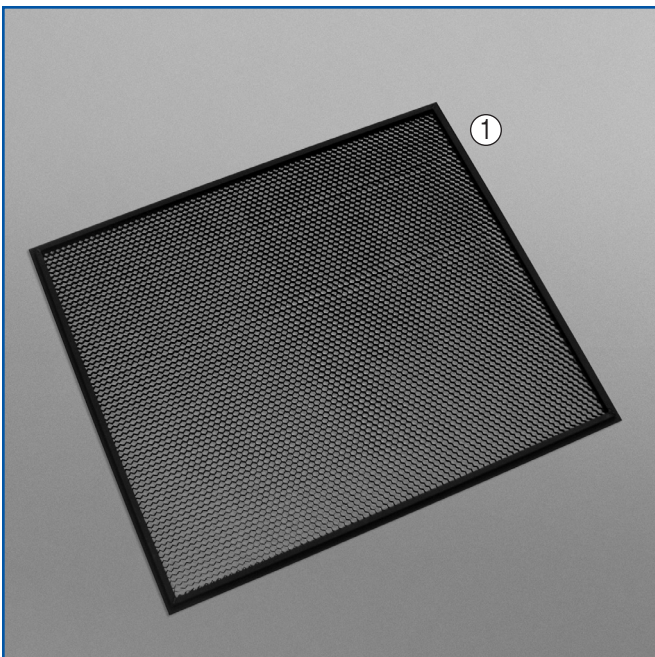
WEIGHT			DIMENSIONS		
	Lbs	Kg		Inches	Cm
Complete	18.0	8.1	Length	29.75	75.6
DMX	0.5	0.2	Height	20.19	51.3
			Width	7.0	17.8



Videssence™
ACCESSORIES

POWER KEY Series
P220-455BX

(See detailed description and function in Accessories Section)



PART #

① ZS-P220-W Zone Control Screen Wide

PHOTOMETRICS

4-06		DISTANCE				
MODEL P220-455BX		3ft/.91m	6ft/1.83m	9ft/2.74m	12ft/3.66m	15ft/4.57m
NO ACCESSORIES	FC	1024	256	120	80	48
	Lux	11023	2756	1292	861	517

Light level readings were measured in foot-candles (fc) and converted to Lux using the conversion factor of 1 fc = 10.765 Lux. Values shown are light levels on centerline. Reference: Meter used—Minolta T-1 Illuminance meter. Lamps: 3000 Kelvin. Ambient temperature in test studio 75F ±3F. Distance measurements converted to meters using 1ft = .305m. Original photometric data on file at the factory. Specifications subject to change without notice or obligation.